

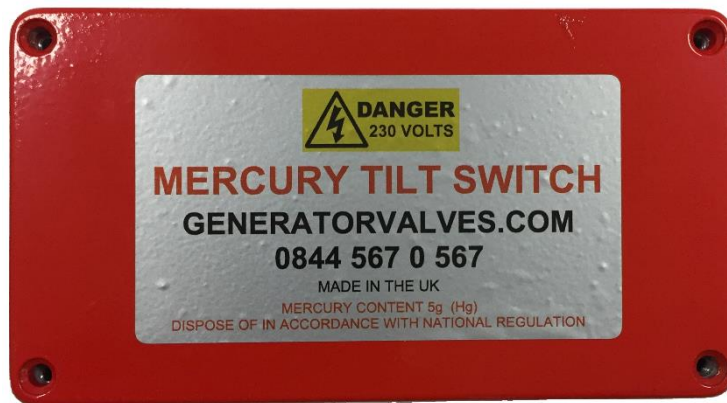


METCRAFT

Product Data Sheet
Mercury Change Over Switch

Generator Installations single phase mercury change over switches are designed to provide a reliable position status via a volt free mercury switch, in conjunction with a free fall fire valve. Allowing for the direct switching of pumps and relays when the valve enters the emergency position.

The mercury switch is encased in ABS, with an internal mercury contact and 0.52 round silicone rubber insulated cable/termination. This switch is insulated overall with PVC giving a compact size and high structural strength. The outer enclosure is constructed of sturdy aluminium, painted red to match design of the Drop Weight Fire Valves



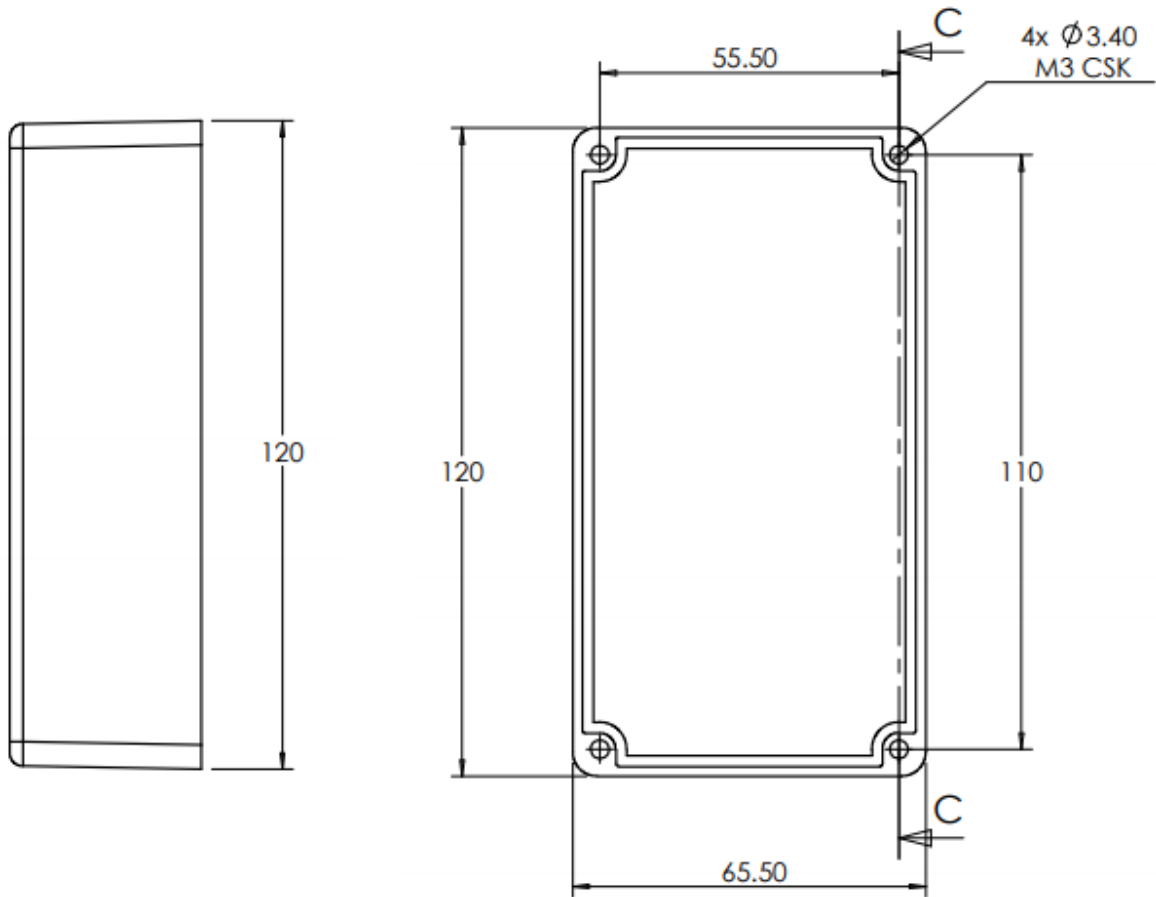
🏠 Office Address:
Metcraft Group LTD
Unit 4, Cliffe Court
Medway City Business Estate
Rochester, Kent
ME2 4GU

🏠 Factory Address:
Metcraft Group LTD
4 Old Mill Lane
Aylesford
Kent
ME20 7DT

🌐 www.metcraft.co.uk
✉ contact@metcraft.co.uk
☎ +44 (0) 1903 714 226



METCRAFT



🏠 Office Address:
Metcraft Group LTD
Unit 4, Cliffe Court
Medway City Business Estate
Rochester, Kent
ME2 4GU

🏠 Factory Address:
Metcraft Group LTD
4 Old Mill Lane
Aylesford
Kent
ME20 7DT

🌐 www.metcraft.co.uk
✉ contact@metcraft.co.uk
☎ +44 (0) 1903 714 226